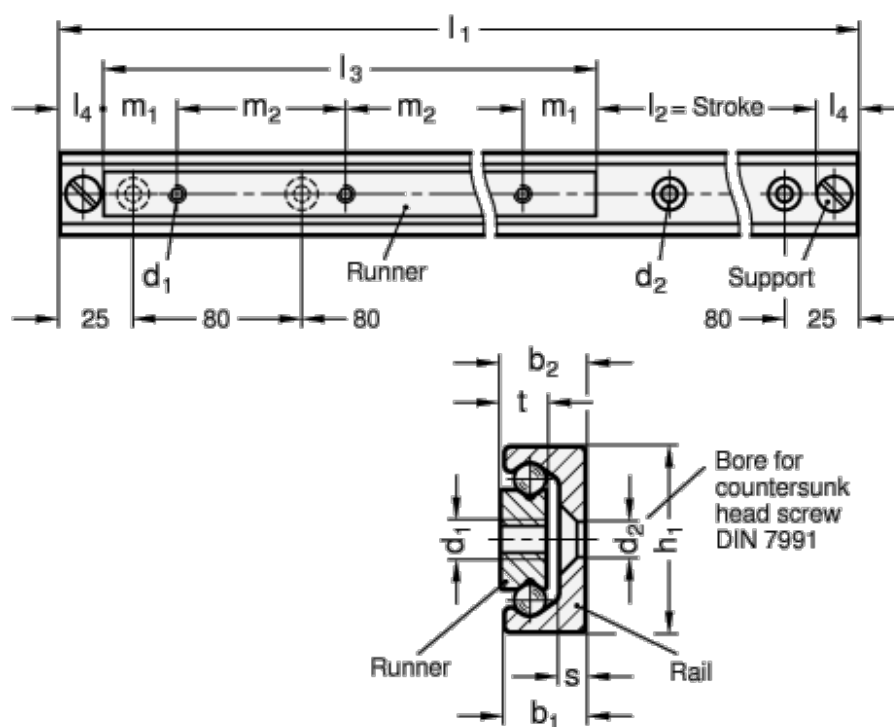


Article number: 202402433701010

Description: E+G Liar motion bearings GN 2402-43-370-1010

Measures



b1	= 21	m1	= 25
b2	= 22	m2	= 80
d1	= M8	s	= 4.5
d2	= 8.5	t	= 13.5
h1	= 43	Weight in (g) = 4236	
L1	= 594 - 1010		
L3	= 370		
L4 max	= 23		